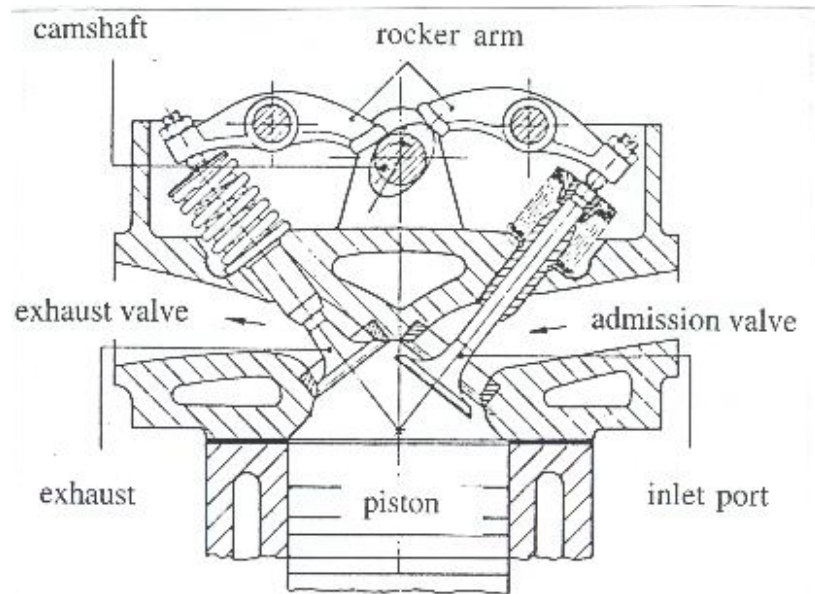
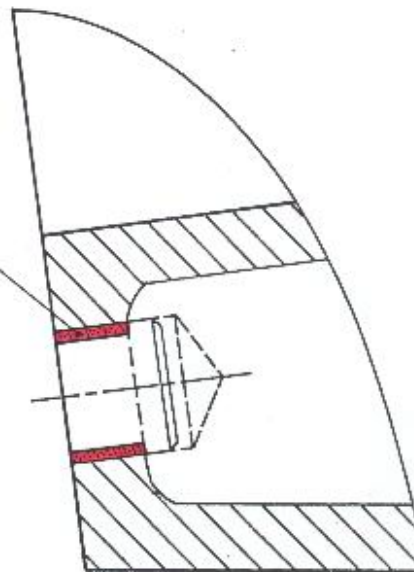


REP-# 103



VP 10-500



With VP 10-500 a non-sealant vent plug in a cylinder head at an exhaust port was repaired. VP 10-500 was applied in a thickness of appr. 3 mm. Afterwards the plug seals remained gas-proof in spite of high operating temperatures of 300 °C.

MultiMetall
the MetalExistenceCompany®